

**SA**

**TRAILER**

**& CHASSIS EQUIPMENT**

## **STANDS & PARTS**



- **AL-KO**
- **SIMOL**
- **SAT**
- **TRAIL-A-MATE**



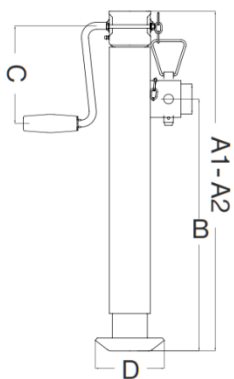
**136 Port Wakefield Road, CAVAN SA 5094**

**Ph. 08 8262 7170 Fax. 08 8262 6123**

**[www.satrailer.com.au](http://www.satrailer.com.au)**

The AL-KO Landing Leg is the latest addition to AL-KO's extensive range of quality trailer components. Ideal for stabilising plant trailers, camper trailers, 5 wheeler caravans and agricultural equipment, the AL-KO Landing Leg is a necessary inclusion to the toolkit of the commercial contractor, farmer and camping enthusiast alike. All bases are covered with the AL-KO range of Landing Legs, with static loads ranging from 1,300 to 4,500kg. An AL-KO Landing Leg can also be fitted to another brands existing mounting kit. The AL-KO Landing Leg is your ideal choice when looking to safely and efficiently stabilise your trailer, camper, 5 wheeler caravan or agricultural machinery.

PART NO.	OUTER TUBE MM <sup>2</sup>	TUBE MOUNT FITTED	WEIGHT KG	LOAD CAPACITY KG	SURFACE FINISH	A1	A2	B	C	D
622057	57.5 RD	Yes	6.7	1300	Zinc	550	900	400	167	118
622057L	57.5 RD	Yes	9.1	1300	Zinc	1060	1440	910	167	118
622070	70.0 SQ	No	11.8	1500	Zinc	595	1275	-	167	118
622070WTM	70.0 SQ	Yes	12.3	1500	Zinc	595	1275	-	167	118
622071	70.0 SQ	No	9.9	2000	Zinc	580	940	-	167	118
622071WTM	70.0 SQ	Yes	10.4	2000	Zinc	580	940	430	167	118
622110	110 SQ	No	32.9	4500	Zinc	690	1275	-	326	250
622000	Chassis Mount & Tube Bracket Kit				Zinc	-				



622057



622057L



622070



622070WTM



622071



622071WTM



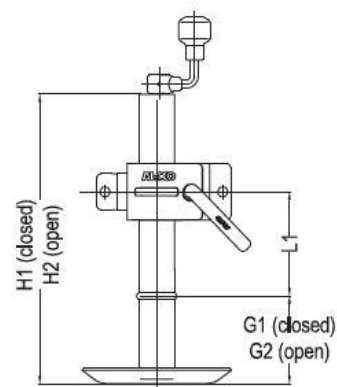
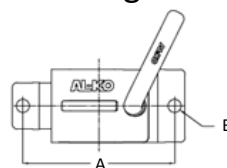
622110



622000

When rigid stability is required the AL-KO range of stands fits the bill. Available in varying heights and also in weld on swivel bracket versions.

These steady stands are ideal for fixed location stabilizing of trailers and plant equipment.



AS14

PART NO.	OUTER TUBE MM <sup>2</sup>	TUBE MOUNT FITTED	WEIGHT KG	LOAD CAPACITY KG	SURFACE FINISH	H1	H2	G1	G2
AS14	48.0 RD	N/A	4.5	400	Zinc	375	625	70	320



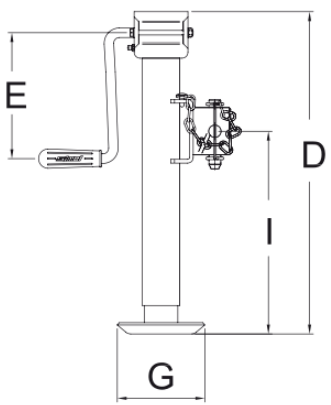
AS20

PART NO.	OUTER TUBE MM <sup>2</sup>	TUBE MOUNT FITTED	WEIGHT KG	LOAD CAPACITY KG	SURFACE FINISH	H1	H2	G1	G2
AS20	48.0 RD	N/A	5.0	400	Zinc	515	765	160	410



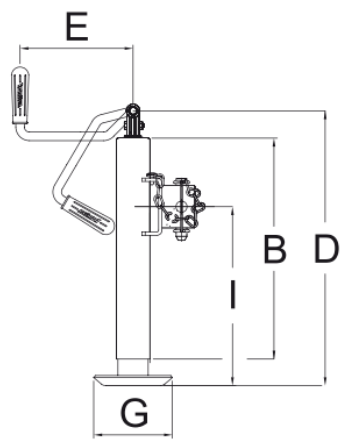
AS27

PART NO.	OUTER TUBE MM <sup>2</sup>	TUBE MOUNT FITTED	WEIGHT KG	LOAD CAPACITY KG	SURFACE FINISH	H1	H2	G1	G2
AS27	48.0 RD	N/A	6.0	400	Zinc	695	945	360	610



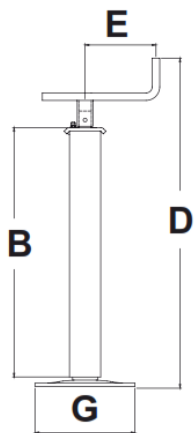
**LT3153**  
57mm RD Side Wind Z/P Tube  
Mount Stand no drop leg

PART NO.	OUTER TUBE MM <sup>2</sup>	WEIGHT KG	LOAD CAPACITY KG	D (mm)	E (mm)	G (mm)	I (mm)
LT3153	57 RD	7.1	1300	560	168	120 x 165	405

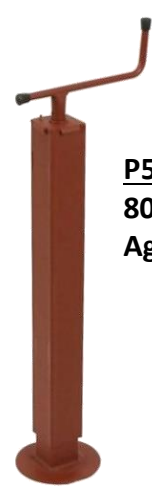


**ST3154**  
57mm RD Top Wind Z/P Tube  
Mount Stand no drop leg

PART NO.	OUTER TUBE MM <sup>2</sup>	WEIGHT KG	LOAD CAPACITY KG	B (mm)	D (mm)	E (mm)	G (mm)	I (mm)
ST3154	57 RD	6.4	1300	455	535	168	120x165	390

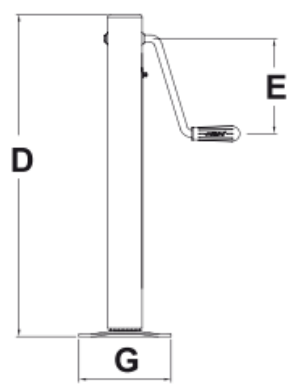


**P560**  
70mm SQ Top Wind Red  
Ag Stand no drop leg



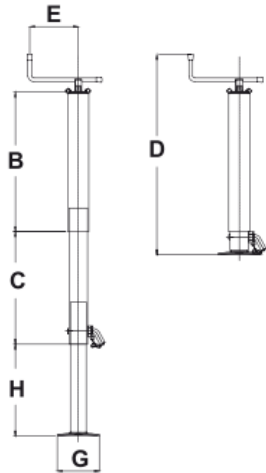
**P575**  
80mm SQ Top Wind Red  
Ag Stand no drop leg

PART NO.	OUTER TUBE MM <sup>2</sup>	WEIGHT KG	LOAD CAPACITY KG	B (mm)	D (mm)	E (mm)	G (mm)
P560	70 SQ	8.2	1000	500	670	185	160
P575	80 SQ	11	1200	500	670	185	200



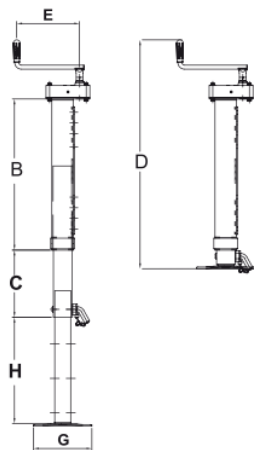
**DG590**  
70mm SQ Side Wind Red Stand &  
Bracket (no Drop Leg) 1500kg

PART NO.	OUTER TUBE MM <sup>2</sup>	WEIGHT KG	LOAD CAPACITY KG	D (mm)	E (mm)	G (mm)
DG590	70 SQ	8.4	1500	530	175	120x165



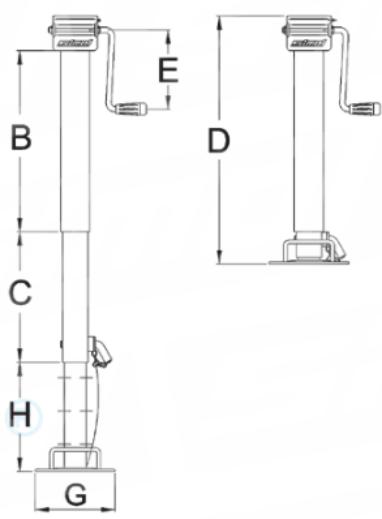
**P575/3SF**  
80mm SQ Top Wind Red Ag Stand  
c/w Drop Leg

PART NO.	OUTER TUBE MM <sup>2</sup>	WEIGHT KG	LOAD CAPACITY KG	B (mm)	C (mm)	D (mm)	E (mm)	G (mm)	H (mm)
P575/3SF	80 SQ	16.7	1000	530	360	790	185	160	320



**PR675/3SF1**  
80mm SQ Geared Top Wind Red  
Ag Stand & Bracket c/w Drop Leg

PART NO.	OUTER TUBE MM <sup>2</sup>	WEIGHT KG	LOAD CAPACITY KG	B (mm)	C (mm)	D (mm)	E (mm)	G (mm)	H (mm)
PR675/3SF1	80 SQ	20	2500	570	300	855	235	220	390

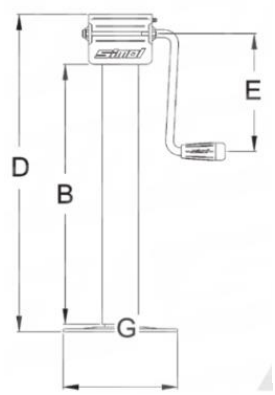


**DG706/3SF**  
80mm Square Side Wind Red Stand (c/w Drop Leg)









**DG706/3SFW**  
80mm Squ. Side Wind Red Ag Stand (c/w drop leg) (3 speed)

PART NO.	OUTER TUBE MM <sup>2</sup>	WEIGHT KG	LOAD CAPACITY KG	B (mm)	C (mm)	D (mm)	E (mm)	G (mm)	H (mm)
DG706/3SF	80 SQ	21	2500	500	290	685	225	220	276
DG706/3SFW	80 SQ	21	2500	500	290	685	225	220	276

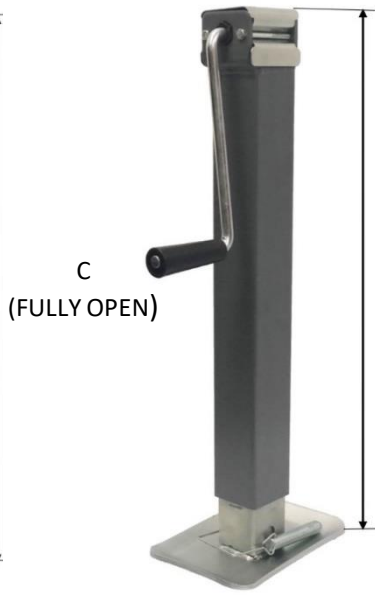
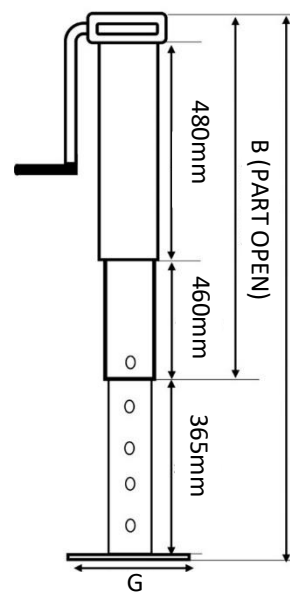


**DG706W**  
80mm SQ Side Wind Red Ag Stand no drop leg (2 stage wind)

PART NO.	OUTER TUBE MM <sup>2</sup>	WEIGHT KG	LOAD CAPACITY KG	B (mm)	D (mm)	E (mm)	G (mm)
DG706W	80 SQ	13.4	4000	500	620	225	220

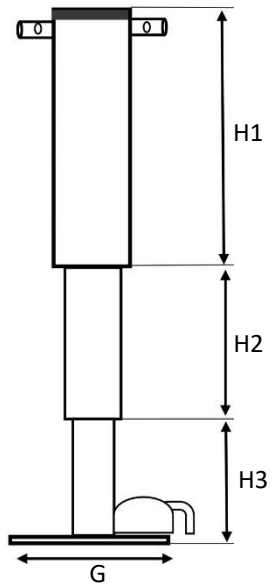
PART NO.	DESCRIPTION	SUIT	
<b>F5</b>	FLAT MOUNT PLATE	SQUARE STANDS	
<b>LT/ST0141</b>	WELD ON TUBE	LT2103 LT3153 LR3152/19 ST3154	
<b>LT/ST0151</b>	BOLT ON OR WELD ON TUBE	LR3152/19	
<b>LF/SF0121</b>	WELD ON PLATE	LF3151 SF3152	
<b>040.02</b>	MOUNT PLATE	H1140P	
<b>SIM.DG706/ MAN</b>	PVC HANDLE	PR675/3SF1; PE600; P560; P575; DG590; P575/3SF; DG706W; DG706/3SF; DG706/3SFW	





**SABD-03E4**  
2 TON SIDE WIND STAND c/w  
DROP LEG no TUBE MOUNT

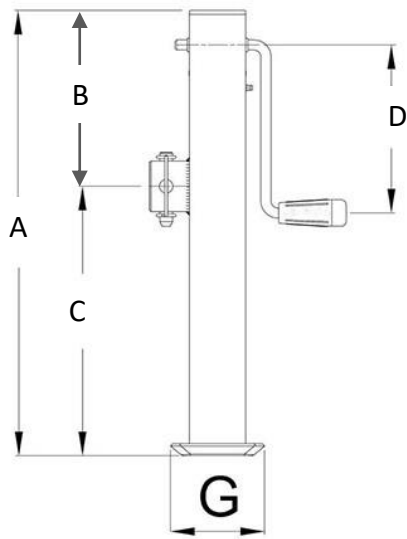
OUTER TUBE (mm)	LOAD CAPACITY (KG)	SURFACE FINISH	A (CLOSED)	B (PART OPEN)	C (FULLY OPEN)	G
65mm(SQ)	2 TON	GREY	610mm	1020mm	1365mm	201mm x 140mm



**SAS45**  
4.5 TON ZINC PLATED STAND  
c/w DROP LEG

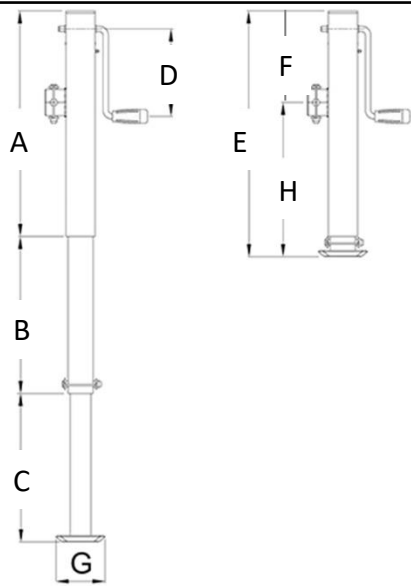


OUTER TUBE (mm)	LOAD CAPACITY (KG)	SURFACE FINISH	D (CLOSED)	H1	H2	H3	G
105mm(SQ)	4.5 TON	ZINC	700mm	612mm	320mm	390mm	202 x 217mm





**SAS1WTM**  
SAT 1 TON SIDE WIND STAND  
c/w TUBE MOUNT ONLY

OUTER TUBE (mm)	LOAD CAPACITY (KG)	SURFACE FINISH	A(mm) (CLOSED)	A(mm) (OPEN)	B (mm)	C (mm)	D (mm)	G (mm)
57Φ	1 TON	ZINC	420	685	190	230	150	100 x 190



**SAS2WTM**  
SAT 2 TON SIDE WIND STAND  
c/w TUBE MOUNT & DROP LEG

OUTER TUBE (mm)	LOAD CAPACITY (KG)	SURFACE FINISH	A (mm)	B (mm)	C (mm)	D (mm)	E(mm) (CLOSED)	E(mm) (OPEN)	F (mm)	G (mm)	H (mm)
63.5 SQ	2 TON	ZINC	555	410	350	220	625	1355	220	100 x 190	410

PART NO.	DESCRIPTION	
<b>SASSOTM</b>	SPARE OUTER TUBE MOUNT TO SUIT SAS1WTM & SAS2WTM	
<b>SASSPC</b>	SPARE PIN & CHAIN FOR TUBE MOUNT TO SUIT SAS1WTM & SAS2WTM	



**TMII**

**TRAIL A MATE MARKII STAND ONLY (NO CLAMP)**  
AUSTRALIAN MANDATORY SAFETY STANDARDS (2693:2007)

MINIMUM HEIGHT	MAXIMUM HEIGHT	LIFTING RANGE	LOAD LIMIT
145mm	780mm	380mm	1500KG



**TMKIT001**

**TRAIL-A-MATE STAND ONLY (NO CLAMP)**  
AUSTRALIAN MANDATORY SAFETY STANDARDS (2693:2007)

MINIMUM HEIGHT	MAXIMUM HEIGHT	LIFTING RANGE	LOAD LIMIT
145mm	780mm	380mm	1000KG

**\*PLEASE NOTE: A CLAMP IS NOT INCLUDED\***

PART NO.	DESCRIPTION
<b>TMIIJ/WCLAMP</b>	<b>60MM J/WHEEL CLAMP to suit 1500KG TRAIL-A-MATE MARK II</b>

