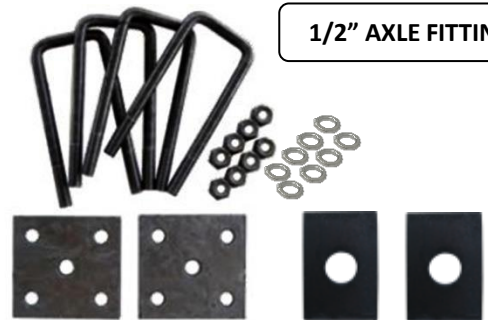


**HANGER KIT**



**SPRINGS**

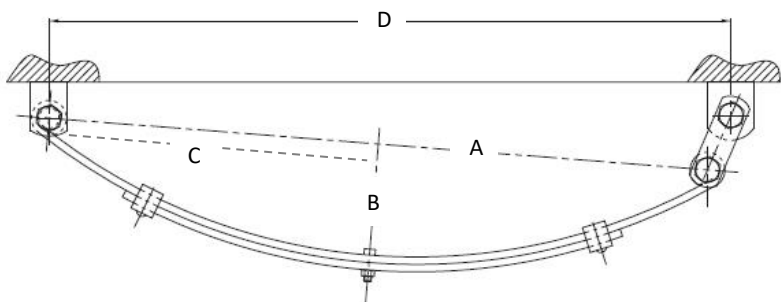
**1/2" AXLE FITTINGS**



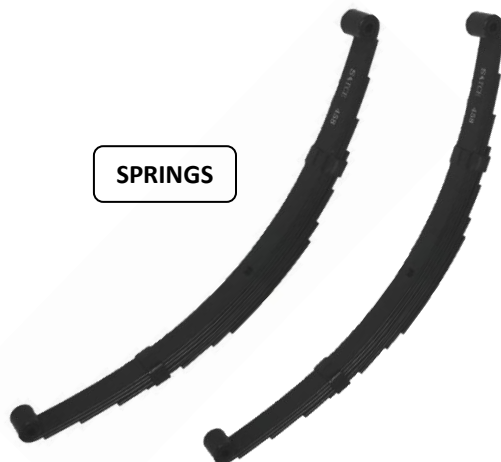
## 45MM x 8MM EYE to EYE SPRING SETS

PART NO.	DESCRIPTION	CARRYING CAPACITY	FINISH	A	B	C	D
SE456S	SET AK. 6L x 45mm x 8mm EYE to EYE SPRINGS	1500KG	BLACK	711mm	120mm	355mm	735mm
SE458S	SET AK. 8L x 45mm x 8mm EYE to EYE SPRINGS	1900KG	BLACK	711mm	120mm	355mm	735mm

**\*PLEASE NOTE: SET OF SPRINGS INC. SPRINGS, HANGER KIT & 1/2" AXLE FITTINGS\***



**HANGER KIT**



**SPRINGS**

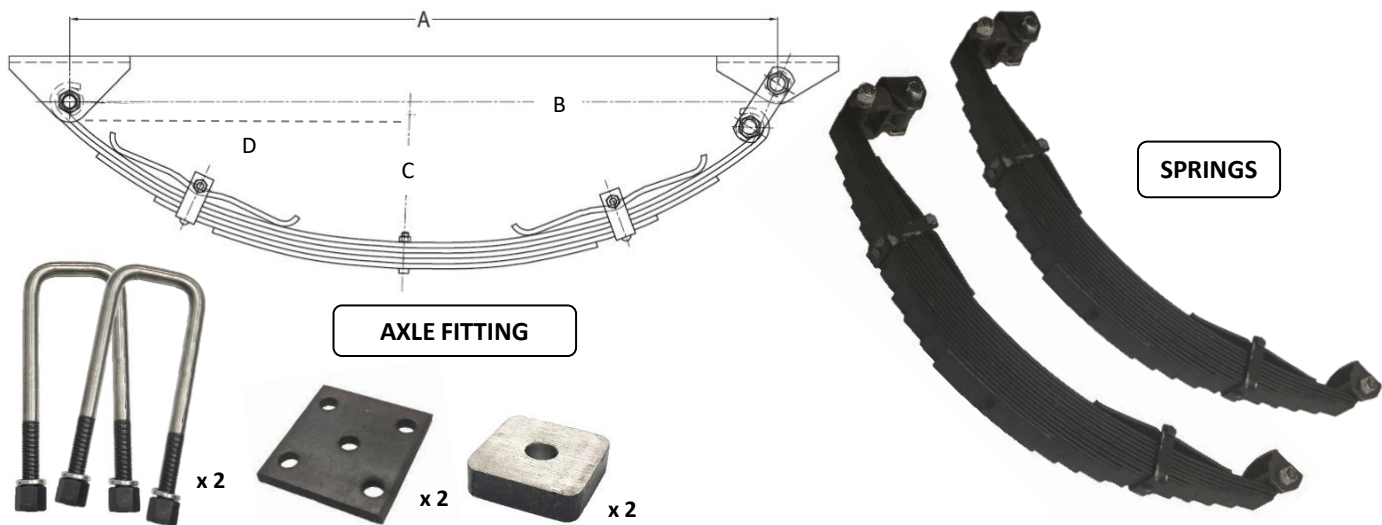


**1/2" AXLE FITTINGS**

## 45MM EYE TO EYE SPRING SETS

PART NO.	DESCRIPTION	CARRYING CAPACITY	FINISH	A	B	C	D
SASE456S	SET SAT 6L x 45mm EYE to EYE SPRINGS	750KG	BLACK	716mm	145mm	367mm	722mm
SASE458S	SET SAT 8L x 45mm EYE to EYE SPRINGS	950KG					
SASE4510S	SET SAT 10L x 45mm EYE to EYE SPRINGS	1270KG					

**\*PLEASE NOTE: SET OF SPRINGS INC. SPRINGS, HANGER KIT & 1/2" AXLE FITTINGS\***



**60MM x 8MM EYE TO EYE SPRING SETS**

PART NO.	DESCRIPTION	CARRYING CAPACITY	FINISH	A(MM)	B(MM)	C(MM)	D(MM)
SM6013EES	SET MT. 13L x 60mm x 8mm EYE TO EYE SPRING	3000KG	BLACK	900	470	130	465