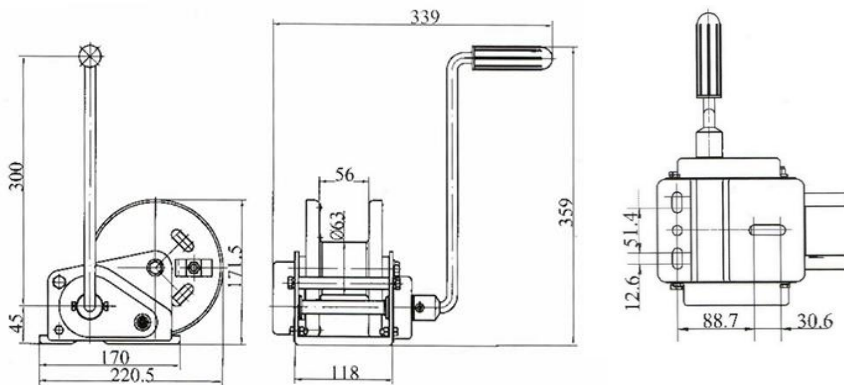


**AL01572**  
**RBW1500 BRAKE WINCH c/w CABLE**

CAPACITY	GEAR RATIO	CABLE/SYNTHETIC ROPE (mm x m)	STRAP (mm x mm x m)	GROSS WEIGHT (kgs)
1500 lb (681 Kg)	5.1:1	Φ4.76 x 17	1.2 x 40 x 8	3.5



**AL01576**  
**RBW2500 BRAKE WINCH c/w CABLE**

CAPACITY	GEAR RATIO	CABLE/SYNTHETIC ROPE (mm x m)	STRAP (mm x mm x m)	GROSS WEIGHT (kgs)
2500 lb (1135 Kg)	11.1:1	Φ6.35 x 17	1.4 x 60 x 10	6.3