

# COUPLING BARTLETT

## • 95mm BALL TRAILER COUPLING



**375AX**

### 95mm TRAILER COUPLING

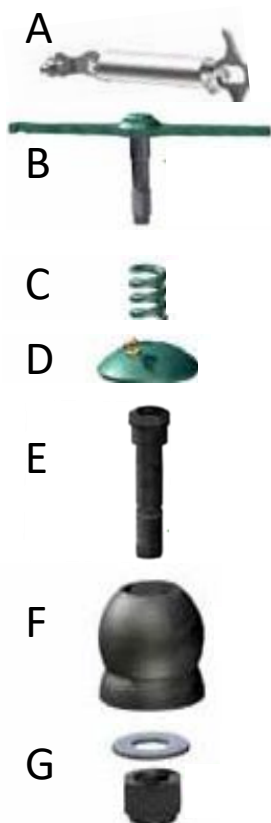
RIGID DRAWBAR: MAX. ATM 7000KG

HINGED DRAWBAR: D-VALUE 70KN

(INCL.: A - 375/11 1" BOLT SET;

B - 375/10 3/4" BOLT SET;

C - 375/1 TRAILER HOOD)



**375DX**

### 95mm BALL & TRUCK KIT

RIGID DRAWBAR: MAX. ATM 7000KG

HINGED DRAWBAR: D-VALUE 70KN

(INCL: A - 5-3/9 SAFETY SPRING;

B - 375/6 CLAMPING BOLT;

C - 375/7 COMPRESSION SPRING;

D - 375/3 CAP;

E - 375/4 MAIN BOLT;

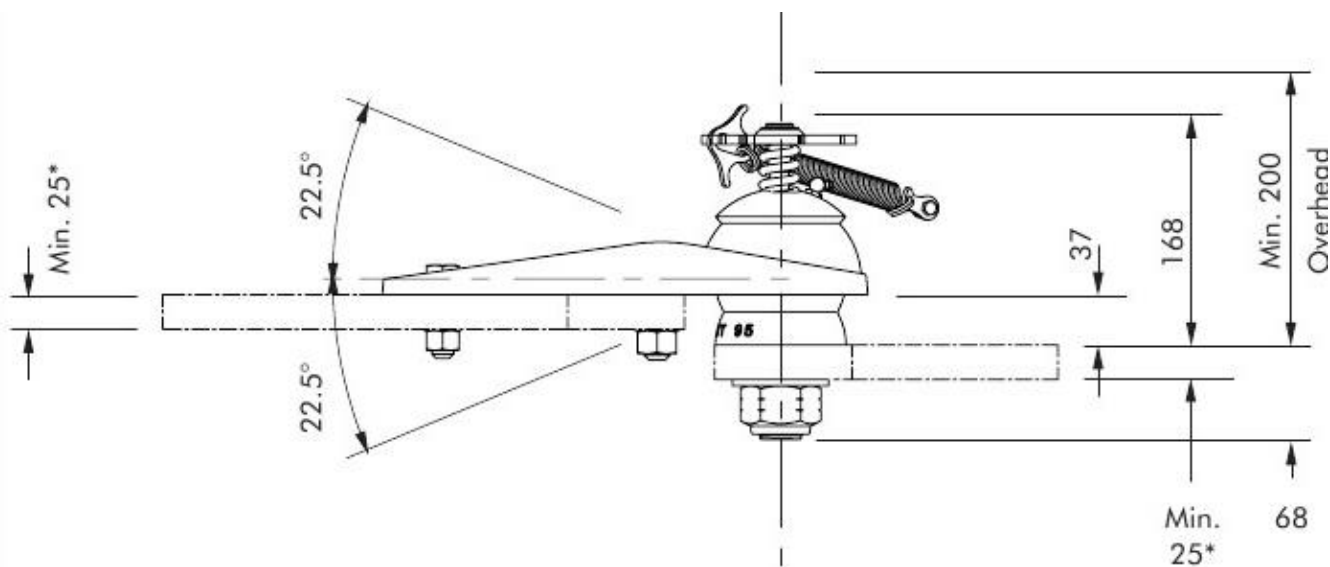
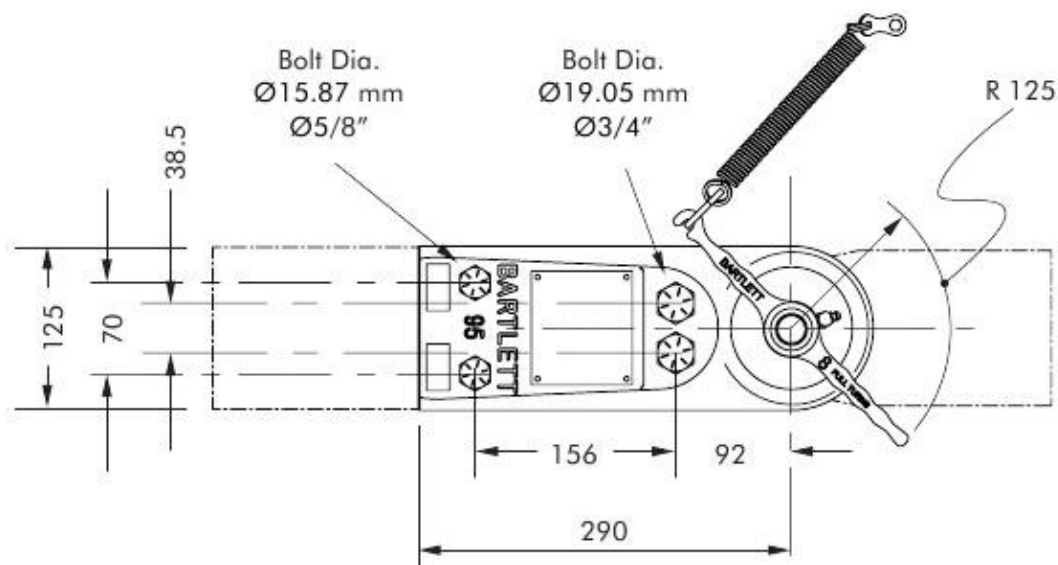
F - 375/2 BALL;

G - 5-3/5 NYLOC NUT & WASHER)



# COUPLING BARTLETT

## • 95mm BALL TRAILER COUPLING



Do not scale - All measurements in mm

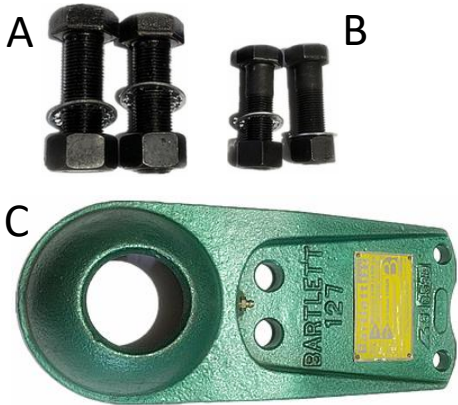
\*Mounting lugs not included, shown for illustration purpose only - available at extra cost

\*Mounting lugs must be adequately supported as dictated by professional design engineer

\*DWG or DXF file available approval

# COUPLING BARTLETT

## • 127mm BALL TRAILER COUPLING



**59AX**

### 127mm TRAILER COUPLING

RIGID DRAWBAR: MAX. ATM 24000KG

HINGED DRAWBAR: D-VALUE 155KN

(INCL.: A - 59/11 1" BOLT SET;

B - 59/10 3/4" BOLT SET;

C - 59/1 TRAILER HOOD)



**59DX**

### 127mm BALL & TRUCK KIT

RIGID DRAWBAR: MAX. ATM 24000KG

HINGED DRAWBAR: D-VALUE 155KN

(INCL: A - 5-3/9 SAFETY SPRING;

B - 59/6 CLAMPING BOLT;

C - 59/7 COMPRESSION SPRING;

D - 59/3 CAP;

E - 59/4 MAIN BOLT;

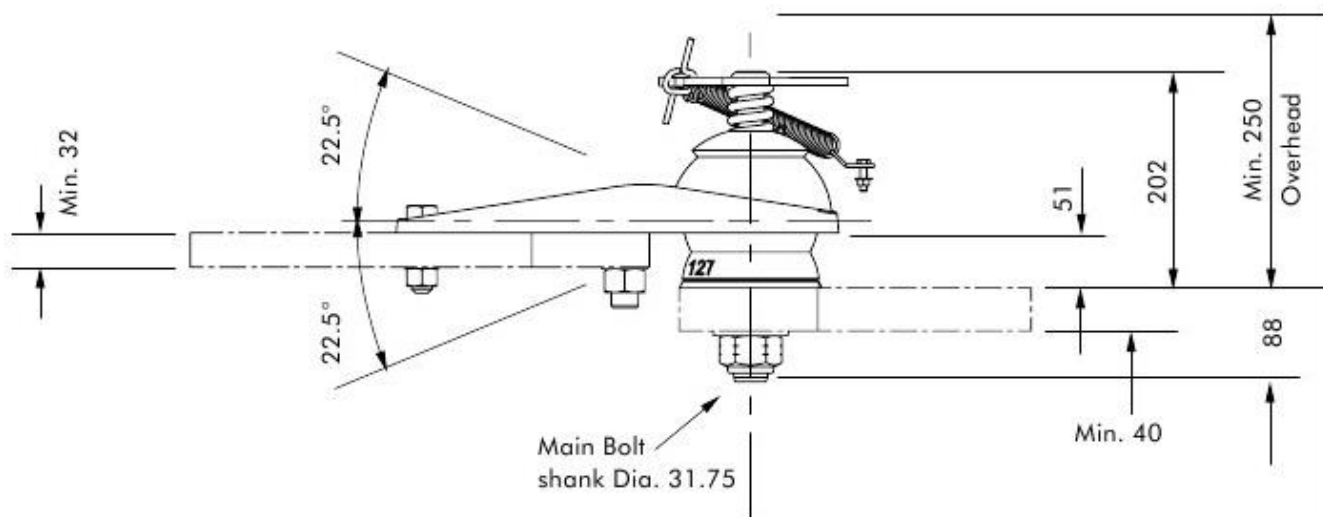
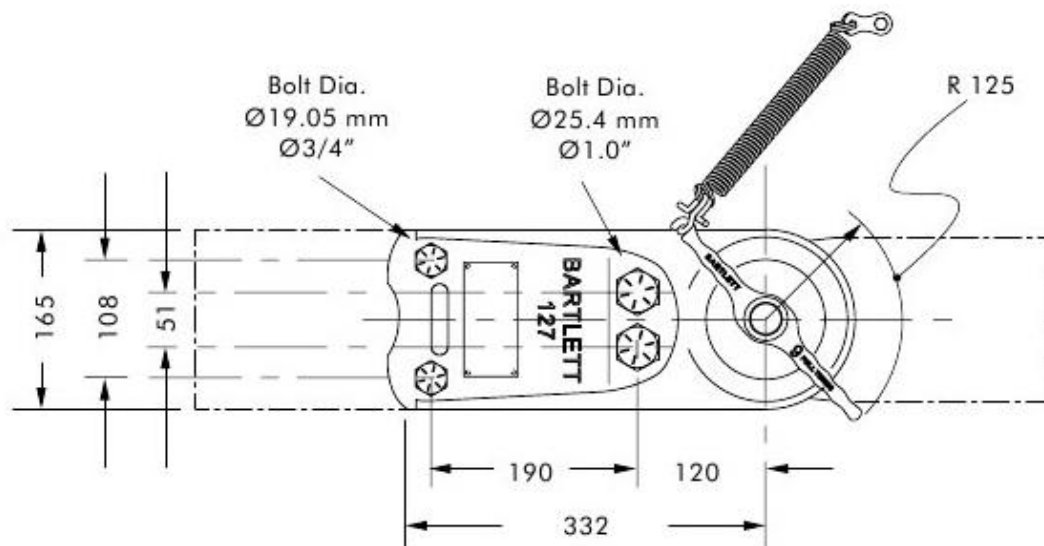
F - 59/2 BALL;

G - 59/8 LOCATING RING;

G - 5-3/5 NYLOC NUT & WASHER)

# COUPLING BARTLETT

## • 127mm BALL TRAILER COUPLING



Do not scale - All measurements in mm

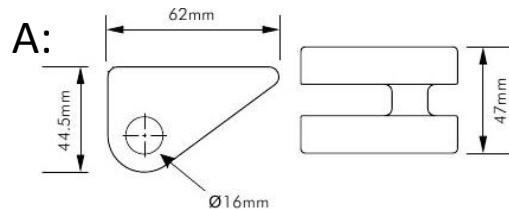
\*Mounting lugs not included, shown for illustration purpose only - available at extra cost

\*Mounting lugs must be adequately supported as dictated by professional design engineer

\*DWG or DXF file available approval

# COUPLING BARTLETT

## • SAFE-T-CHAIN SYSTEM



### SC62-13R

### TOWBAR CHAIN BRACKET SET

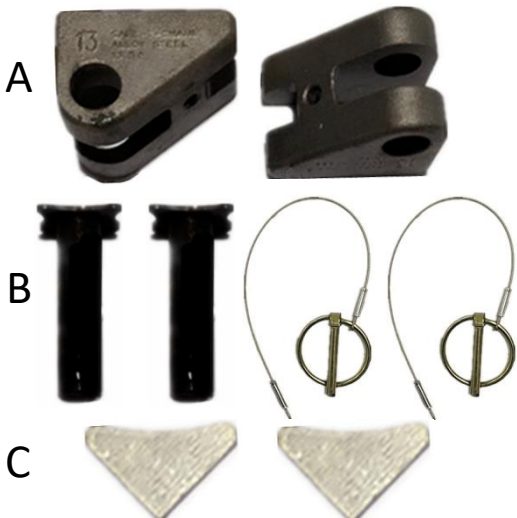
CAPACITY: MAX. ATM 13500KG

(INCL.: A - ATTACHMENT - HIGH TENSILE WELDABLE STEEL (2 OFF) (DIMENSIONS SEE

ABOVE SCETCHES);

B - DRAWPIN ASSEMBLY - HIGH TENSILE (2 OFF);

C - DRAWPIN KEEPER (2 OFF))



### SC62-13F

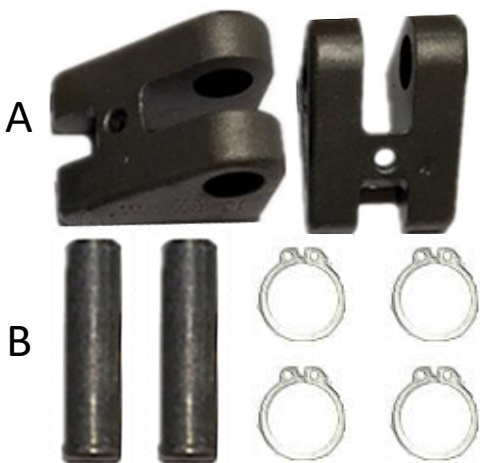
### TRAILER CHAIN BRACKET SET

CAPACITY: MAX. ATM 13500KG

(INCL.: A - ATTACHMENT - HIGH TENSILE WELDABLE STEEL (2 OFF) (DIMENSIONS SEE

ABOVE SCETCHES);

B - TRAILER PIN ASSEMBLY - HIGH TENSILE (2 OFF))



### TB800/13-20

### 13mm x 790mm CHAIN SET

(2 LENGTHS)

