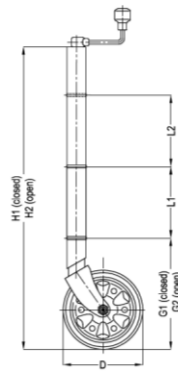


SA**TRAILER**
& CHASSIS EQUIPMENT

JOCKEY WHEEL

AL-KO



626100

6 x 2 JOCKEY WHEEL c/w CLAMP

WEIGHT (KG)	SURFACE FINISH	STATIC CAPACITY (KG)	OUTTER TUBE DIAMETER	D (mm)	H 1 (mm)	H 2 (mm)	G 1 (mm)	G 2 (mm)	L 1 (mm)
5.5	ZINC PLATED	400KG	48mm	150	507	772	202	467	182



628100

8 x 2 JOCKEY WHEEL c/w CLAMP

WEIGHT (KG)	SURFACE FINISH	STATIC CAPACITY (KG)	OUTTER TUBE DIAMETER	D (mm)	H 1 (mm)	H 2 (mm)	G 1 (mm)	G 2 (mm)	L 1 (mm)
7	ZINC PLATED	400KG	48mm	200	567	832	262	522	182



628325

8 x 2 EX. HEIGHT JOCKEY WHEEL c/w CLAMP

WEIGHT (KG)	SURFACE FINISH	STATIC CAPACITY (KG)	OUTTER TUBE DIAMETER	D (mm)	H 1 (mm)	H 2 (mm)	G 1 (mm)	G 2 (mm)	L 1 (mm)
7	ZINC PLATED	400KG	48mm	200	730	995	370	635	132

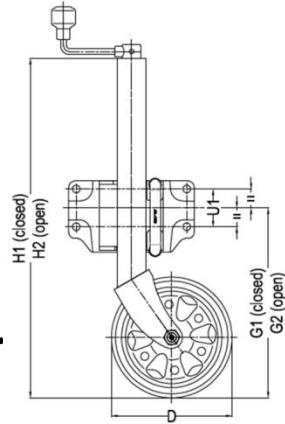
Helpful Hint:

Use a large wheel for soft ground!

626204

6 x 2 JOCKEY WHEEL c/w

SMALL DOUBLE LOCK PIN BRACKET



WEIGHT (KG)	SURFACE FINISH	STATIC CAPACITY (KG)	OUTTER TUBE DIAMETER	D (mm)	H 1 (mm)	H 2 (mm)	G 1 (mm)	G 2 (mm)	U (mm) HOLE SIZE (ø14)
									U 1
									FOR DRAW BAR DEPTH
									50mm
7	ZINC PLATED	400KG	48mm	150	510	760	300	525	63

628204

8 x 2 JOCKEY WHEEL c/w

SMALL DOUBLE LOCK PIN BRACKET



WEIGHT (KG)	SURFACE FINISH	STATIC CAPACITY (KG)	OUTTER TUBE DIAMETER	D (mm)	H 1 (mm)	H 2 (mm)	G 1 (mm)	G 2 (mm)	U (mm) HOLE SIZE (ø14)
									U 1
									FOR DRAW BAR DEPTH
									50mm
8.5	ZINC PLATED	400KG	48mm	200	570	820	310	560	63

Helpful Hint:

Use a large wheel for soft ground!

SA

TRAILER

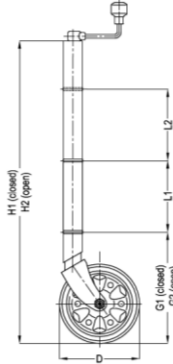
& CHASSIS EQUIPMENT

JOCKEY WHEEL

AL-KO

621250

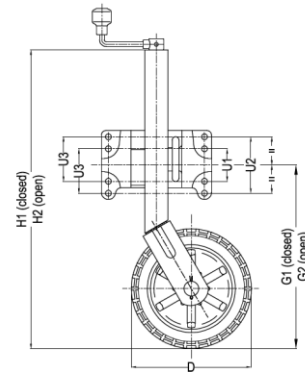
250 x 80 SOLID TYRE POWER MOVER
JOCKEY WHEEL c/w CLAMP



WEIGHT (KG)	SURFACE FINISH	STATIC CAPACITY (KG)	DYNAMIC CAPACITY (KG)	OUTTER TUBE DIAMETER	D (mm)	H 1 (mm)	H 2 (mm)	G 1 (mm)	G 2 (mm)	L 1 (mm)	L 2 (mm)
14.7	ZINC PLATED	350KG	150KG	48mm	245	625	875	335	585	85	85

623660XP3

250 x 80 SOLID TYRE JOCKEY
WHEEL c/w 3 BOLTS DOUBLE
LOCK PIN SWIVEL BRACKET



WEIGHT (KG)	SURFACE FINISH	STATIC CAPACITY (KG)	OUTTER TUBE DIAMETER	D (mm)	H 1 (mm)	H 2 (mm)	G 1 (mm)	G 2 (mm)	U (mm) HOLE SIZE (Ø14)		
									U 1	U 2	U 3
									FOR DRAW BAR DEPTH		
									50 mm	100 mm	75 mm
11	ZINC PLATED	400KG	48mm	200	630	880	320	570	63	113	88

Helpful Hint: Use a large wheel for soft ground!



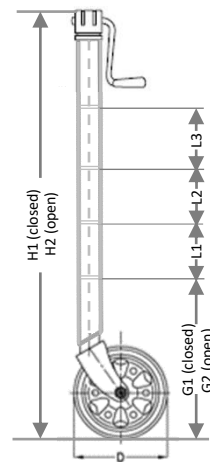
TRAILER
& CHASSIS EQUIPMENT

JOCKEY WHEEL

AL-KO

628500

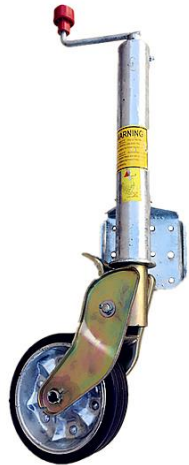
**8 x 2 PREMIUM SIDE WIND JOCKEY
WHEEL c/w EXTRA WIDE CLAMP**



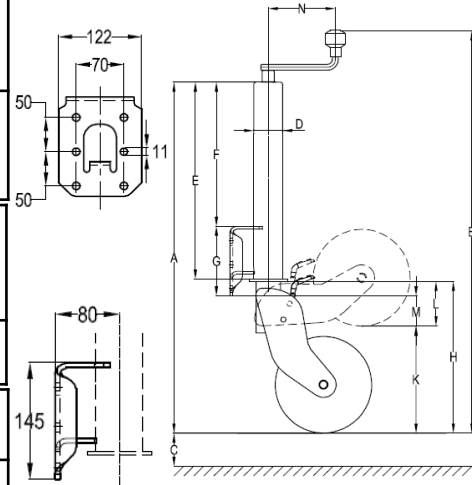
WEIGHT (KG)	SURFACE FINISH	STATIC CAPACITY (KG)	OUTTER TUBE DIAMETER	D (mm)	H 1 (mm)	H 2 (mm)	G 1 (mm)	G 2 (mm)	L 1 (mm)	L 2 (mm)	L 3 (mm)
9.1	ZINC PLATED	400KG	48mm	200	771	1037	320	586	85	85	85

622455

500KG FLIP UP JOCKEY WHEEL c/w BRACKET



WEIGHT (KG)	SURFACE FINISH	STATIC CAPACITY (KG)	DYNAMIC CAPACITY (KG)	WHEEL DIM. & WIDTH (mm)		
10	ZINC PLATED	500KG	300KG	200 x 50		
DIM. A		DIM. B		DIM. C (MAX. TRAVEL) (mm)	DIM. D (OUTTER TUBE DIAMETER)	DIM. E (mm)
MIN. (mm)	MAX. (mm)	MIN. (mm)	MAX. (mm)			
730	975	840	245	60mm	410	
DIM. F (mm)	DIM. G (mm)	DIM. H (mm)	DIM. K (mm)	DIM. L (mm)	DIM. M (MIN. mm)	DIM. N (mm)
300	145	330	235	90	75	140

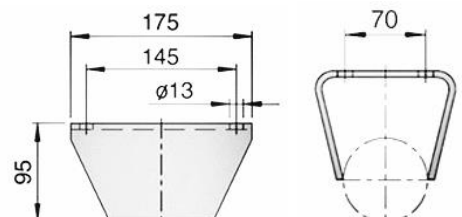
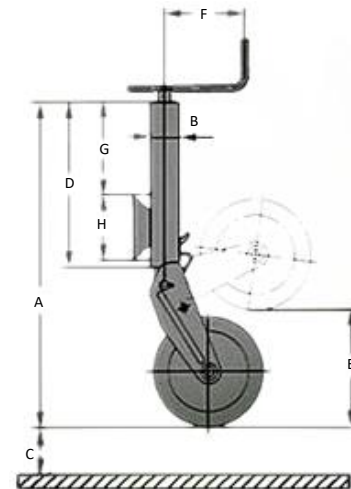


622800

800KG FLIP UP JOCKEY WHEEL c/w BRACKET



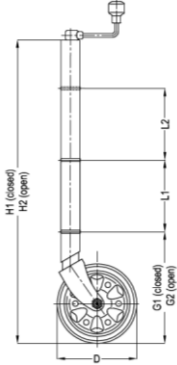
WEIGHT (KG)	SURFACE FINISH	STATIC CAPACITY (KG)	WHEEL DIM. & WIDTH (mm)	DIM. A (mm)	
				MIN.	MAX.
17	HOT DIP GAL	800KG	260 x 65	920	1140
DIM. B TUBE ϕ		DIM. C (MAX. TRAVEL) (mm)	DIM. D (mm)	DIM. E (mm)	DIM. F (mm)
73.5mm		225	450	355	190





JOCKEY WHEEL

AL-KO



626050

T/T 6 x 2 LIGHT DUTY JOCKEY WHEEL

c/w CLAMP



WEIGHT (KG)	SURFACE FINISH	STATIC CAPACITY (KG)	OUTTER TUBE DIAMETER	D (mm)	H 1 (mm)	H 2 (mm)	G 1 (mm)	G 2 (mm)	L 1 (mm)
5	ZINC PLATED	350KG	48mm	150	510	760	202	457	180

629250TT

T/T 250 x 80 ZINC PLATED SOLID TYRE

JOCKEY WHEEL c/w CLAMP



WEIGHT (KG)	SURFACE FINISH	STATIC CAPACITY (KG)	OUTTER TUBE DIAMETER	D (mm)	H 1 (mm)	H 2 (mm)	G 1 (mm)	G 2 (mm)	L 1 (mm)
8	ZINC PLATED	350KG	48mm	245	635	885	325	575	180

Helpful Hint:
Use a large wheel for soft ground!

SA

TRAILER

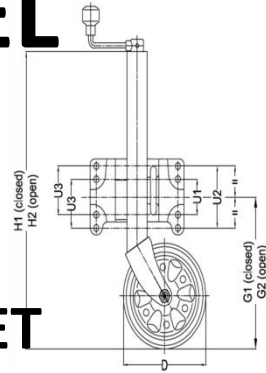
& CHASSIS EQUIPMENT

JOCKEY WHEEL

AL-KO

626190

T/T 6 x 2 LIGHT DUTY JOCKEY WHEEL
c/w LARGE DOUBLE LOCK PIN BRACKET



WEIGHT (KG)	SURFACE FINISH	STATIC CAPACITY (KG)	OUTTER TUBE DIAMETER	D (mm)	H 1 (mm)	H 2 (mm)	G 1 (mm)	G 2 (mm)	U (mm) HOLE SIZE (ø14)		
									U 1	U 2	U 3
									FOR DRAW BAR DEPTH		
									50 mm	100 mm	75 mm
6.75	ZINC PLATED	350KG	48mm	150	510	760	310	560	63	113	88

628200SLTT

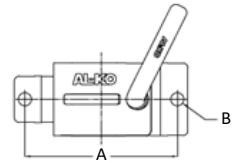
T/T 8 x 2 ZINC PLATED JOCKEY WHEEL
c/w LARGE DOUBLE LOCK PIN BRACKET

WEIGHT (KG)	SURFACE FINISH	STATIC CAPACITY (KG)	OUTTER TUBE DIAMETER	D (mm)	H 1 (mm)	H 2 (mm)	G 1 (mm)	G 2 (mm)	U (mm) HOLE SIZE (ø14)		
									U 1	U 2	U 3
									FOR DRAW BAR DEPTH		
									50 mm	100 mm	75 mm
7.5	ZINC PLATED	350KG	48mm	200	570	820	310	560	63	113	88

629250SLTT

T/T 250 x 80 ZINC PLATED JOCKEY WHEEL
c/w LARGE DOUBLE LOCK PIN BRACKET

WEIGHT (KG)	SURFACE FINISH	STATIC CAPACITY (KG)	OUTTER TUBE DIAMETER	D (mm)	H 1 (mm)	H 2 (mm)	G 1 (mm)	G 2 (mm)	U (mm) HOLE SIZE (ø14)		
									U 1	U 2	U 3
									FOR DRAW BAR DEPTH		
									50 mm	100 mm	75 mm
10.5	ZINC PLATED	350KG	48mm	245	630	880	395	645	63	113	88



629900 JOCKEY WHEEL CLAMP

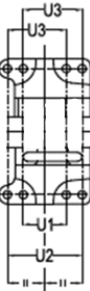


WEIGHT (KG)	SURFACE FINISH	OUTTER TUBE DIAMETER	A (mm)	B ø (mm)
1	ZINC PLATED	48mm	150	13

629920 LARGE DOUBLE LOCK PIN BRACKET

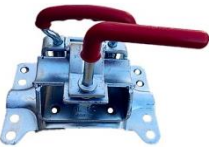


WEIGHT (KG)	SURFACE FINISH	STATIC CAPACITY (KG)	OUTTER TUBE DIAMETER	U 1 (mm)	U 2 (mm)	U 3 (mm)	U (mm) HOLE SIZE
2.5	ZINC PLATED	400KG	48mm	63	113	88	14

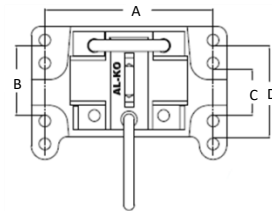


629935

DOUBLE LOCK PIN BRACKET c/w CLAMP



WEIGHT (KG)	SURFACE FINISH	OUTTER TUBE DIAMETER	A (mm)	B (mm)	C (mm)	D(mm)
3.3	ZINC PLATED	48mm	185	75	50	100



629600

6 x 2 SOLID RUBBER WHEEL



629888

8 x 2 STEEL/ RUBBER WHEEL



629850

250 x 80 STEEL/ RUBBER WHEEL

Helpful Hint: Use a large wheel for soft ground!



Part No.	Description	
626262	JOCKEY WHEEL U.BOLT KIT (75mm x 75mm)	
626260	JOCKEY WHEEL U.BOLT KIT (100mm x 75mm)	
629910	AK JOCKEY WHEEL MANOUVERING HANDLE	
629915	AK JOCKEY WHEEL PREMIUM WIDE CLAMP	
629602	STD. THRUST BEARING	
629601GS	JOCKEY WHEEL HANDLE c/w GRUB SCREW	
629601RP	JOCKEY WHEEL HANDLE c/w ROLL PIN	
629951	CLAMP HANDLE & BOLT	
629605	SCREWED SHAFT ONLY	